



DEPTHPOWER | electric downrigger

1099 • 1101 • 1106 • 1106B • 1116

INSTALLATION

MAINTENANCE

USE & SAFETY



CAUTION! Read through this entire booklet before operating your Scotty Downrigger. Improper use may damage your Downrigger and void the warranty. You may also expose yourself to unnecessary danger and physical injury.

Electric Downrigger Manual

Thank you for choosing a Scotty Downrigger. In 1973 Scotty produced its first downrigger. Our goal was to manufacture a superior downrigger, built to withstand the demanding marine environment, and we now produce many manual and electric models. This instruction book will give you basic instruction on mounting and using your downrigger. Please read carefully. It will improve your results and also give you important tips on downrigger safety and care. Good Fishing!

Features

LIFETIME WARRANTY

Scotty is proud to warranty your Depthpower downrigger for the lifetime of the original owner. For warranty inquiries, please contact Scotty Fishing, Marine and Outdoors at 1-800-214-0141, or one of our authorized warranty repair service depots (see www.scotty.com or call us for the depot nearest you). We will do our best to get you back fishing as soon as possible. Please read your warranty agreement carefully and retain the certification section in a safe place, along with your serial number(s).

SPEED & EFFICIENCY

The Scotty Depthpower Downrigger's drive mechanism incorporates a positive drive gear belt to turn the downrigger spool. This highly efficient belt system is used by many auto makers for valve timing, and the benefit to the Angler is that power is transferred from the motor at a greater efficiency than worm gear drives used in most electric downriggers. The result is a faster retrieval speed with less electric power used. The Scotty Depthpower Downrigger will retrieve at speeds two to three times faster than most electrics.

CLUTCH BRAKE

The Scotty clutch brake allows descent of the downrigger weight at any speed you choose. Most of the time you will want a slow, even descent speed to avoid tangles. However, in instances where you want a lure deep very quickly, the Downrigger will respond, giving you complete control. In addition, the brake is factory set to allow the line to pay out if you hang up on the bottom. If you do happen to hang up on the bottom, the clutch brake may allow you time to turn the boat around and lift free the weight. It is advisable to always carry a good set of wire cutters in case the downrigger weight cannot be set free.

AUTO-STOP

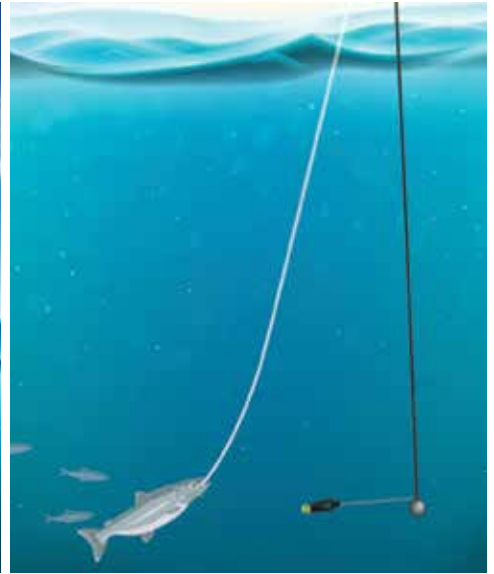
Auto-Stop control permits hands free line retrieval and automatically stops at any pre-set point.

Fishing with Downriggers

Downrigger fishing is a whole new style of trolling. It may take a little while to get used to it, but after you begin to catch fish with it, you'll never go back to using heavy tackle. Unlike conventional trolling, the first evidence of a strike may show with just a wiggle of your rod tip or your Downrigger pulley. When a fish strikes, your rod tip goes up, the line will momentarily go slack and you now have your fish on the line with no weight at all! Quite often, the fish will rush to the surface (with no weight to hold him down) and put up a spectacular fight right on top.

After a strike, note the reading on the depth counter so you can get your line back to the exact same depth after landing the fish. Many suspended fish travel in schools and returning to the exact same location will increase your chances of hooking up again.

If the fish is large we suggest you retrieve the Downrigger before you land the fish. This eliminates the possibility of the fish tangling in the downrigger line or the weight hitting the bottom if you drift into shallow water while playing the fish. To avoid tangles you should wind up all downriggers on the boat before you stop to drift. If fishing alone, you should get your fish under control and then retrieve the downrigger.



Downrigger Safety

The Scotty High Performance 30" fixed and 60" telescoping boom electric Downriggers are designed for use on wide beam boats of 16 ft. in length and up. Installation on smaller boats is not recommended. All sports have some physical hazards connected with them and fishing with Downriggers calls for some common sense and precaution.

There are natural physical forces associated with long arm Downriggers. The load or strain at the mounting point of a Downrigger is proportional to the length of the arm. In the event of a bottom hang up with a 30" - 60" arm and high breaking strength trolling wire, the arm leverage can exert a tremendous force on the gunnel of your boat. It is obvious that this force could overcome a weak mounting point on the boat. In the case of a small boat, it could cause the boat to submerge or overturn if the wire is caught on the bottom in a strong tide or heavy wind.

Care must always be exercised to avoid tangling your Downrigger wire in your boat prop. The best way to avoid this risk is to mount the Downrigger near the stern of the boat so that the wire never gets under the boat in a turn. Sharp turns should be avoided if possible.

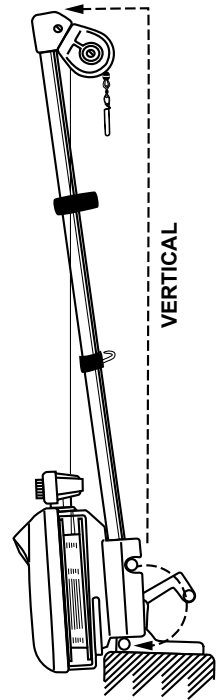
When the Downrigger is tilted up, the boom must be tilted back past vertical, and the red lock lever tucked fully under the Downrigger base.

Keep your fingers away from the underside of the Downrigger base and always remove the weight when the Downrigger is unattended or in the locked tilted position.

Make sure the area where you are mounting your Downrigger is strong and reinforced. If it is weak, reinforce it with a backing plate of wood or metal.

Always try to bring weights, releases, and tackle inboard to you. When retrieving or hooking up, do not lean out, as a sudden roll or a slippery deck could send you overboard.

Do not attempt to retrieve a weighted or snagged Downrigger cable by hand. Wave or boat motion could cause serious injury.



Red lock lever must be tucked under base to lock the downrigger upright.

RED LOCK LEVER MUST BE TUCKED UNDER BASE TO LOCK THE DOWNRIGGER UPRIGHT. ALWAYS REMOVE THE WEIGHT WHEN THE DOWNRIGGER IS UNATTENDED OR IN THE LOCKED TILTED POSITION.

What happens when you hit bottom?

When your weight touches bottom while trolling, you will see the Downrigger boom bounce. You should immediately bring your weight up to a safer depth.

WARNING! Be very cautious when fishing in strong tidal currents or on windy days. If the weight or wire snags on the bottom, the force of the tide or wind on the boat can put a terrific strain on the Downrigger.

KEEP a pair of wire cutters handy in case you have to cut the wire in an emergency! Because of the built in tilt-up feature, the Downrigger boom may fly up quickly when the wire breaks or is cut, so be sure to stand clear, not leaning over the boom.

We recommend you always have a large scale chart of your fishing area and know your position at all times when deep trolling. With a relatively smooth bottom, if your weight hangs up on a small ledge it can often be released by turning around and pulling from the opposite direction. The wire line can be paid out if necessary while you turn the boat to the direction of the hang-up. After a hang-up, the wire should be examined for any broken strands. If strands are broken, it can be cut and rejoined as a temporary measure but should be replaced as soon as possible.

Wiring Instructions & Installation

WARNING: Batteries contain a large amount of potential electrical energy. Extreme care must be used when working with batteries. An improper connection to a battery can release enough energy to cause severe injury or fire.

PLEASE READ THROUGH ALL ELECTRICAL INSTRUCTIONS PRIOR TO INSTALLATION AND WIRING.

Required for Installation and NOT included with this kit:

- 30 amp fuse with fuse holder (Scotty part # 1124)

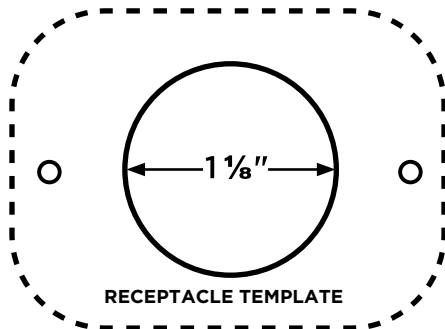
OVERCURRENT PROTECTION

The wiring between the battery and the receptacle must have proper overcurrent protection in the form of an inline 30-amp fuse. It is this inline fuse that may prevent an electrical fire in the event of a short circuit. Position the overcurrent protection within 7" of the battery.

WIRE GAUGE

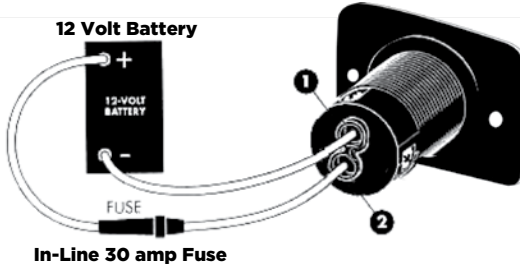
Use marine grade 10 gauge electrical wire to bring power to your receptacle.

NOTE: The Downrigger should always be unplugged when not in use.



Receptacle Installation & Wiring

It is important that the receptacle is wired to match how the plug is wired. The terminals marked "1" and "2" on the receptacle mate with the corresponding terminals marked "1" and "2" on the plug.



Mounting the receptacle requires a $1\frac{1}{8}$ " hole to be drilled. Select a location where the boat's structure will not be weakened. Also, mount on a vertical surface to lessen the amount of water that can enter the receptacle.

Alternatively, you may want to mount the receptacle using the Scotty L-bracket (included in your Downrigger kit)

Using the template on page 6, mark and drill the required holes.

Slide the rubber receptacle protection boot onto the wire. Strip the wire insulation back $\frac{1}{2}$ " to expose clean bare wire. DO NOT solder the ends of the wires.

Feed the wire from the back, through the $1\frac{1}{8}$ " hole. Insert the negative (-) wire into terminal "1" and the fused positive (+) wire into terminal "2" and tighten both terminal screws. Make certain there is no wire insulation inside the terminals and that there are no stray wire strands outside the terminals. Do not overtighten!

Mount the receptacle. Ensure the drain hole is facing down.

Push the rubber receptacle protection boot onto the receptacle from the backside.

CIRCUIT BREAKER

Your Scotty electric Downrigger is equipped with an automatic circuit breaker to protect the motor from overload. If you hang up on bottom or snag a heavy mass of weeds and then push the power up button, the circuit breaker will probably trip. Wait 5 to 10 seconds for it to automatically reset and you will have power again. However, do not repeatedly attempt to lift a load too heavy for the Downrigger motor. If possible, the Downrigger line must first be freed from the obstruction.

Polarity Information

Care has to be given when wiring the plug. Make sure both sides of the plug match +/- polarity. Take note of the small triangle located on the female end 12 o'clock position, and match with the word "insert" arrow which is on the male end. Then rotate the plug to lock $\frac{1}{4}$ turn. When your Downrigger is wired correctly and plugged in correctly the unit will run clockwise. If your unit is not running clockwise do not operate the unit. Check all connections and wiring for proper polarity.

Mounting Instructions

All Scotty electric downriggers mount on the Scotty # 1023 Tilt Up mounting bracket supplied with the downrigger. This bracket can be bolted directly to your gunnel or on top of an alternative mount (for additional mounting options see page 15). The downrigger can be mounted on the side of the boat, the stern or off the corner. Downriggers work best if they are mounted near the stern of the boat. They will work in any location but the risk of tangling wire line in your prop while turning the boat is minimized the further back the downrigger is mounted.

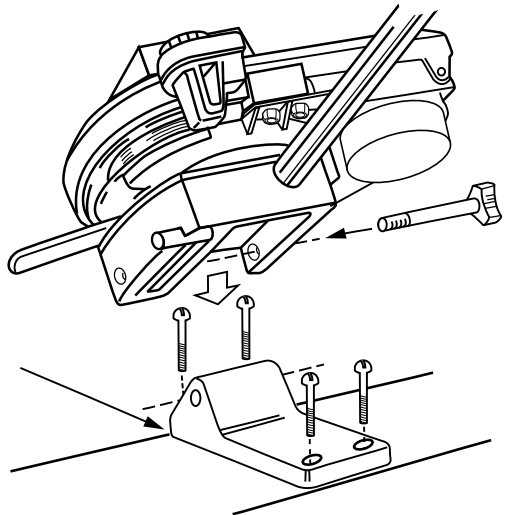
You will be handling heavy weights and setting lines and releases, ensure your mounting location is convenient and safe for these operations. **Do not mount it where you have to reach or lean a long way to make the connections.**

The mounting bracket must be mounted on a flat surface and the rear of the bracket must be within 1/4" of the edge of the gunnel so that the downrigger brake handle has clearance for tilting (see diagram). Because of the heavy stresses placed on the boat gunnel by the leverage of the long downrigger arm, we recommend that a wood or metal backing plate always be installed on the underside of the mounting surface. This spreads the load and reduces damage to the boat in the event of a bottom hang up.

You should also consider rod holder mounting locations when deciding where to mount your downrigger. Scotty Depthpower Downriggers come with two types of rod holders, boom mounted and dual platform style. You may choose to use the supplied rod holder as is, or mount additional rod holders on your boat. Rod holders work equally well when mounted either fore or aft of the downrigger.

NOTE: IF YOUR BOAT'S GUNNEL CONFIGURATION DOES NOT ALLOW THIS STANDARD MOUNTING, SEE PAGE 15 FOR OPTIONAL MOUNTS.

1/4" MAXIMUM TO INSIDE EDGE



Rigging Your Fishing lines

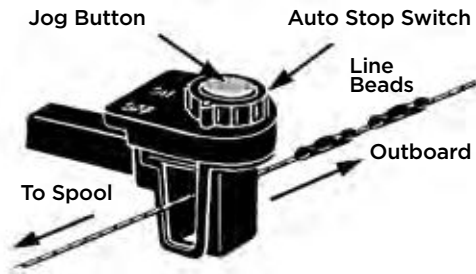
This section details the procedure of how to use your Downrigger in conjunction with a fishing rod, read it carefully. It is best to rig your lines while your boat is in forward motion, this will help prevent tangles.

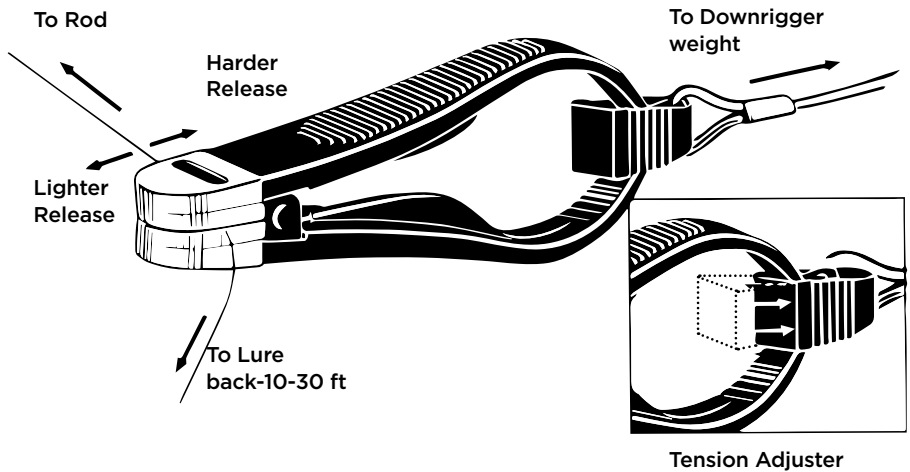
Once your Downrigger is properly mounted, push the Downrigger brake handle forward to ensure it is in the locked position. Attach your weight to the Downrigger snap hook. Use enough weight to ensure the Downrigger cable does not drag back at more than a 30 degree angle when travelling at trolling speeds. 12 to 15 lb. is adequate for most fishing conditions.

The AUTO STOP shuts off the Downrigger when a line bead passes through it and triggers the shut off switch (line beads have already been installed on the Downrigger cable). You can add more line beads at any point on the cable where you would like the Downrigger to stop.

- Ensure your line beads are present and properly located prior to using your Scotty Electric Downrigger
- Have the AUTO STOP switch in the “OFF” position, pointing in line with the boom.
- Connect the power source.
- Lower the weight down approximately ten feet.
- Turn the AUTO STOP switch to “ON” and your Downrigger will stop as soon as your line beads enter the gate passage.
- Your release clip should always be located at least five feet lower than a line bead.
- Push the jog button to bring the weight or release clip up to the pulley.

NOTE: Always keep tension on downrigger wire. Downrigger wire could kink or spill off spool edges if it becomes slack.





- Clip the snap of the Power Grip release (included in your Downrigger kit) to the Downrigger weight, or if using a trolling snap style, a few feet up from the weight. Let between 5 - 30 ft. of fishing line out (with your bait or lure attached to the end) then attach your fishing line to the Power Grip release by squeezing the jaws apart and placing your fishing line between the pads (see diagram on page 3). You can adjust the release tension by placing the fishing line further into the jaws. To further increase the release tension you can move the tension adjuster slider to the out position.
- With your fishing rod in a rod holder, set the tension on your reel so that the line will pay out, but with enough drag tension so that it doesn't free wheel. It is important to have your fishing line tight to the Downrigger line because you may lose the fish if it has a slack line after releasing from the Downrigger release clip.
- The Downrigger weight is lowered by moving the brake handle in a clockwise direction. You can go as fast or as slow as you wish, but it is usually best to descend at a slow, even rate to eliminate fouling your fishing line and tackle with the Downrigger cable.

After each use, it is advisable to rinse off your Downrigger with fresh water to avoid salt build-up. The unit is made of non-corrosive materials, but a build up of salt and seaweed could affect performance.

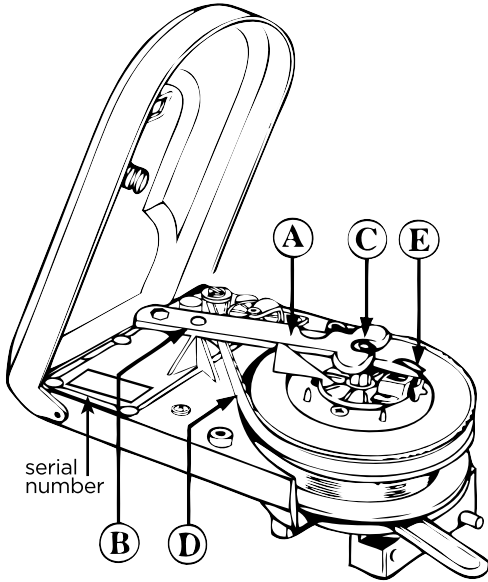
Downriggers Do's & Don'ts

- DO** Check your Downriggers clutch brake prior to each use to ensure it is correctly set.
- DO** Check that your auto-stop line beads are present and properly located prior to each use.
- DO** Attach your rod and reel line to your Downrigger while your boat is in forward motion, this will avoid tangles.
- DO** Read the depth counter when you catch a fish, then go back to the same depth.
- DO** Replace cable regularly to avoid lost gear.
- DO** Rinse off your Downrigger with fresh water after each use, if used in saltwater.
- DO** Clean power plugs regularly

-
- DON'T** Use heavier weight than fishing conditions require. Heavy weights reduce performance and efficiency, and shorten wire life. 12 - 15 lb. should be ample for most fishing conditions.
 - DON'T** Let the Downrigger wire go slack. Kinks may form or the wire could spill off spool edges.
 - DON'T** Let your fishing reel spin free while you lower your Downrigger, set a light drag.
 - DON'T** Use nylon or other monofilament line on your Downrigger. Nylon will stretch in use and shrink back on the spool with enough force to damage it. Use of Nylon line will void the Downrigger warranty. Use of Scotty brand braided line will not void your warranty.
 - DON'T** Spray Downrigger or wire with lubricants, oils or cleaners (ex. Armor All®), as these will damage the plastic, may cause brake malfunction and will void your warranty.
 - DON'T** Attempt to retrieve a weight or snagged Downrigger cable by hand. Wave or boat motion could cause serious injury.

Emergency Crank Handle

Before fishing with your Scotty Depthpower for the first time, you should familiarize yourself with the use of the Emergency Crank Handle A. This device is intended for use when a power loss has occurred and the weight must be retrieved.



1. DISCONNECT POWER TO THE DOWNRIGGER.
2. Move the latch on the top of the downrigger lid to the 'unlocked' position and tilt the lid open.
3. Remove the lid by pulling sideways on one of the mounting tabs.
4. Lift the Emergency Crank Handle **A** off the locating pin **B** and pull it off the nut **C**.
5. Lift the Drive Belt **D** off the spool gear **E** and put it in a secure place.
6. Slide the non-forked end of the Emergency Crank Handle into the slot on the top of the spool gear **E** at a 45° angle. You will now be able to crank up the wire line using the Emergency Crank Handle.
7. As the weight is being retrieved, the counter pressure plate assembly will spin with the spool. Therefore, rotate the counter pressure plate so that the star wheel on the counter does not interfere with the pins on the spool gear. Adjust the counter reading by spinning the counter star wheel by hand.
8. The parts that have been removed should be installed in the reverse order they were taken off. Rotate the counter pressure plate assembly so that the arm that supports the Emergency Crank Handle is aligned between the shaft, locating the counter under the cover window. Lift the Emergency Crank Handle over the locating pin **B** engaging its hole onto the pin.
9. The Emergency Crank Handle **A** must always be securely in place when the downrigger is in use under power, as it ensures correct alignment of the drive unit. Make sure the lid is down and locked before connecting the power.

Care & Maintenance

Your Scotty Electric Downrigger is constructed of corrosion resistant materials. The following regular maintenance checks should be performed:

1. Rinse with fresh water after every use.
2. Routinely check the stainless steel fastenings with a screwdriver to see that they are snug and secure.
3. Check the electrical plug connectors for corrosion and clean off any corrosion found. Failure to clean corrosion may cause electrical arcing and shorting which may be a potential fire hazard.
4. Do not use any lubricants. Lubricants will attack the plastic components.
5. Do not expose the downrigger to ultraviolet light for extended periods of time.

A fabric cover (Scotty product # 3015) is available to protect your downrigger from ultraviolet damage.

BRAKE ADJUSTMENT

It may be necessary to adjust the brake tension if either the weight does not descend freely or cannot be held when the brake is in the on position.

1. DISCONNECT POWER TO THE DOWNRIGGER.
2. Remove any weight from the line.
3. Unlatch and carefully remove the lid. Remove the Emergency Crank Handle, as instructed in step 4 on page 12.
4. Move the brake handle to the “off” position so that the spool can move freely. Using a 9/16 inch wrench or the molded hex in the emergency crank handle, either tighten or loosen the nylock nut as required to obtain the correct brake setting. NOTE: With the brake off, a 7lb. weight should descend freely, but with the brake on, it should hold 15 to 20 lbs. With a weight on, the brake should engage automatically when the handle is released.
5. Re-assemble the Emergency Crank Handle and install the lid as instructed in steps 7 and 8, on page 12.

NOTE: The belt tension has been factory set and should not need adjusting. If your downrigger will still not let the weight down after adjusting the brake, please contact Scotty Fishing, Marine and Outdoors at 1-800-214-0141, or one of our authorized warranty repair service depots (see www.scotty.com or call us for the depot nearest you).

Care & Maintenance

WIRE MAINTENANCE

We have found many things can adversely affect the life of the wire. Included in these are such things as; an unobserved kink, electrolysis caused by stray electrical currents emanating from the boat, certain types of jelly fish and/or minute sea creatures which may have a corroding effect when left on the wire. Frequent inspection and wiping or washing wire with fresh water will help to prolong the wire's life span.

HOW TO REPLACE WIRE

1. DISCONNECT POWER TO THE DOWNRIGGER.
2. Mount the Downrigger someplace secure (its regular boat mount is good) and pull off the old wire. When you come to the end of the wire, cut the loop off the Downrigger spool.
3. Take the free end of the wire from the supply spool and thread it through the pulley, fairlead and the autostop. Thread the wire through the holes from the inside of the spool.
4. Tie an overhand knot in the wire, pulling it snug against the spool. Tie a second overhand knot giving you a "square knot" and pull it snug. Clip the excess line leaving a tail approximately 2 inches long. Secure the loose tail with tape to keep it from fouling the remainder of the wire line.
5. Wind the wire onto the spool using the Emergency Crank Handle. For directions on the use of the Emergency Crank Handle see page 12. Be sure to let wire unroll from the supply spool, rather than spill off the side. Avoid twisting or kinking the wire, keep tension on the supply spool to wind the new wire on as tight as possible. (This operation is best carried out with two people.)
6. Attach a new Scotty bumper and snap hook.
7. Ensure you add two new auto-stop line beads onto your Downrigger line at least 5 ft. up from your Scotty Bumper and line clip. This will ensure your Downrigger stops retrieveing before your terminal tackle hits the pulley.

NOTE: Winding more than 300' of 180 lb. test wire onto the spool will affect accuracy of the depth counter. Scotty utilizes the highest quality wire available. As there are many causes of wire breakage, wire is not subject to any warranty, expressed or implied.

Optional Mounts for your Downrigger



2612 | **Downrigger**
Pedestal Mount 12"
6" (2106)



1027 | **Rail**
Mount



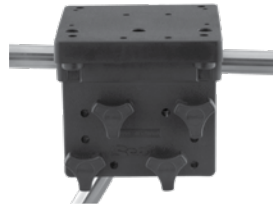
247 | **Dual Rod**
Holder



1025 | **Right Angle**
Side Gunnel Mount



1028 | **Gimbal**
Mount - 9"
12" (1029)



2027 | **Stanchion**
Mount

For more information on these and other Scotty products, go to our website at www.scotty.com



SCOTTY FISHING & OUTDOOR PRODUCTS

2065 Henry Ave West
Sidney, British Columbia
Canada V8L 5Z6

PHONE	250 656 8102
TOLL FREE	1 800 214 0141
FAX	250 656 8126
EMAIL	scotty@scotty.com



www.scotty.com

To obtain parts, information or to locate the warranty service depot nearest you, check out our website: scotty.com/contact

CE CN: PR 11 10 0434 001

Although Scotty makes every effort to ensure the accuracy of specifications at the time of publication, specifications for products described in this publication are subject to change without notice.

Contact Scotty for the most current information.

In order to maintain your warranty, don't forget to register your downrigger. See page 12 for serial number location.

SERIAL #